

HANOVER®

Hanover Outdoor Furniture



IMPORTANT

If you have any problems with this product (missing or damaged parts, assembly issues, etc.),

PLEASE DO NOT RETURN TO THE RETAILER/STORE

from where you purchased the product.

Please call our Toll-Free Customer Service Hotline at: **1-877-976-4402**

Between 9:00 AM and 5:00 PM Eastern Time, Monday through Friday

Or visit our website at: **www.hanover-products.com**

To expedite any future warranty claims, please retain the Instruction Sheet, Warranty Card and receipt for future use.

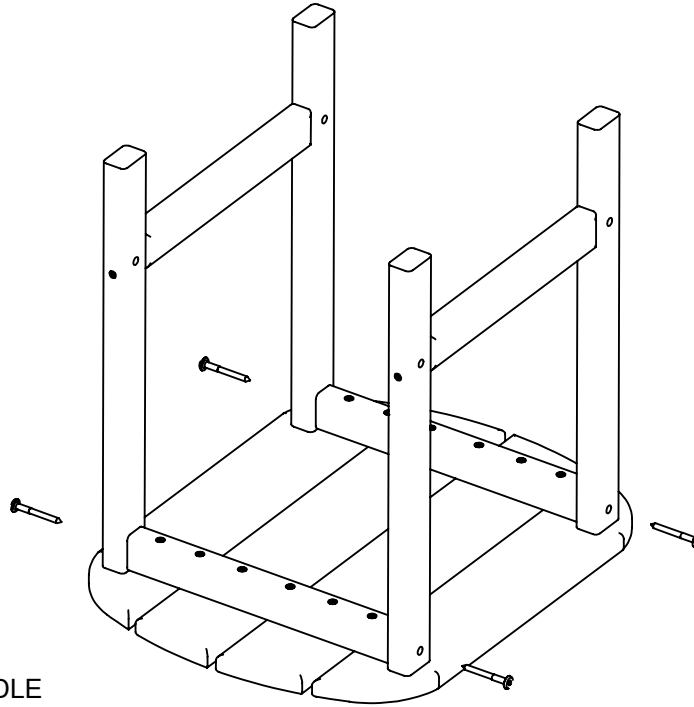
For additional on-line support on assembly, troubleshooting and care & maintenance of your outdoor furniture, please visit our website at: **www.hanover-products.com**.

HANOVER[®]

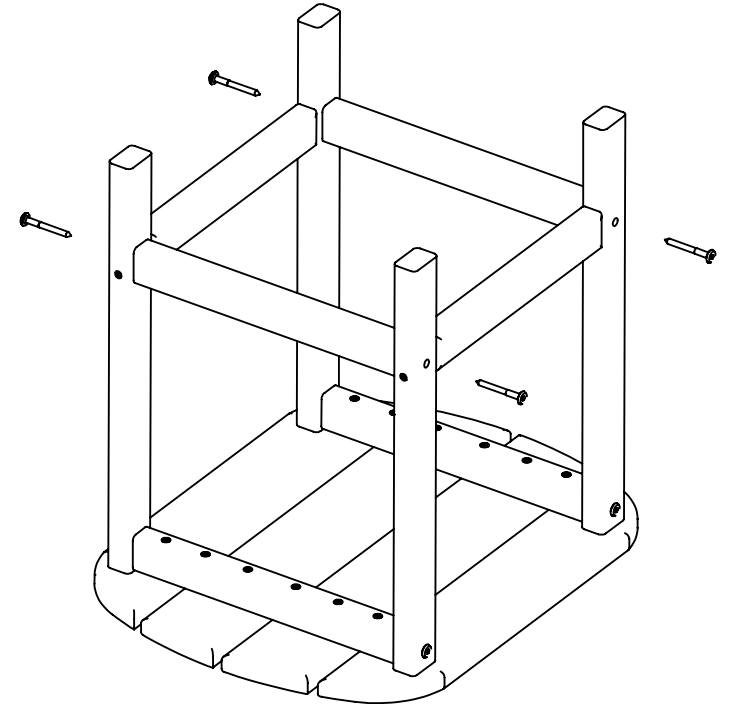
MODEL: HVSBT18

- (1) Table top
- (2) Sideframes
- (2) Braces
- (1) Hardware pack

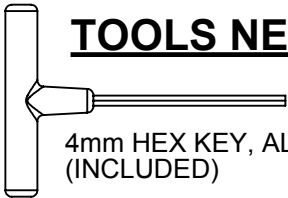
Step 1
Attach sideframes to table top
using (4) 2" screws



Step 2
Attach braces to sideframes
using (4) 2" screws



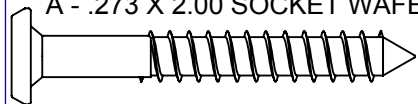
TOOLS NEEDED



4mm HEX KEY, ALLEN, T-HANDLE
(INCLUDED)

Qty.	Description
------	-------------

8	A - .273 X 2.00 SOCKET WAFER A
---	--------------------------------

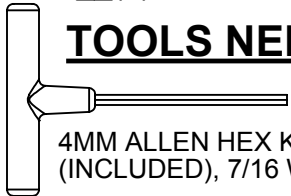


HANOVER®

MODEL: HVLNR10

- ___ (1) HARDWARE PACK
- ___ (2) ROCKERS (RH, LH)
- ___ (2) FRONT LEGS (RH, LH)
- ___ (1) SEAT ASSEMBLY
- ___ (1) BACK ASSEMBLY
- ___ (2) ARM ASSEMBLIES (RH, LH)
- ___ (1) CROSS BRACE

TOOLS NEEDED



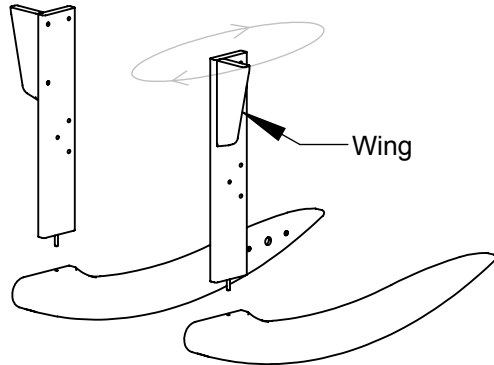
4MM ALLEN HEX KEY, T-HANDLE
(INCLUDED), 7/16 WRENCH (NOT INCLUDED)

QTY	DESCRIPTION
2	A - 1/4-20 X 2-1/4 WAFER SHCS
6	B - 1/4-20 X 1-7/8 WAFER SHCS
4	C - 1/4-20 X 1-1/2 WAFER SHCS
6	D - .273 X 2.00 SOCKET WAFER A
8	E - 1/4-20 NYLOCK NUT
8	F - 1/4 FLAT WASHER

STEP 1

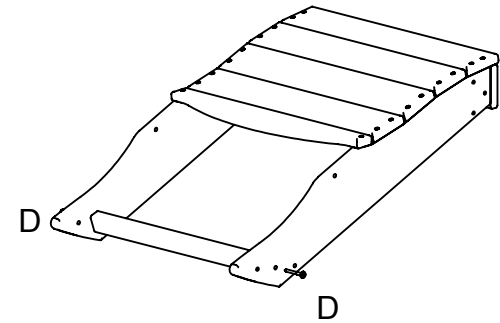
Attach Front Leg to Rocker by screwing threaded stud into pilot holes

Note the position of the "Wing"



STEP 2

Using (2) 2" Screws fasten Cross Brace into Seat



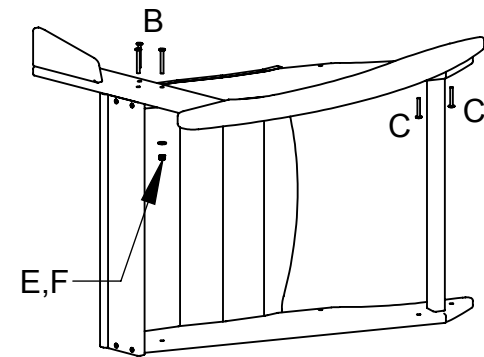
STEP 3

Lay Seat on its side

Using (3) 1-7/8" Bolts, Nuts and Washers attach the Front Leg to the Seat

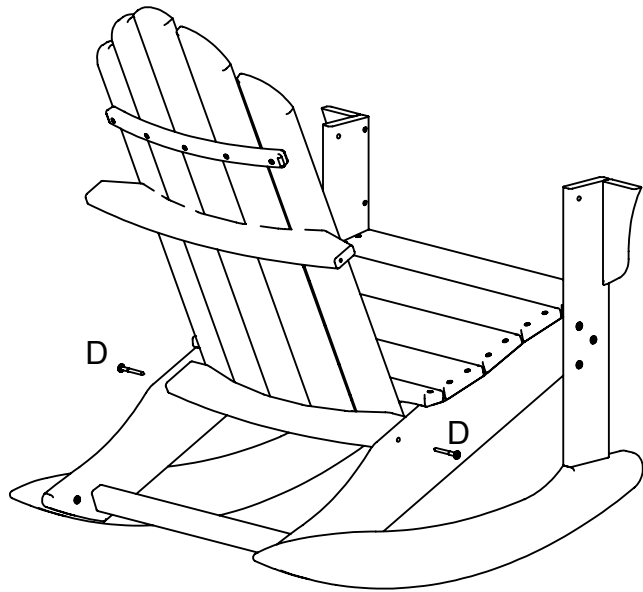
Using (2) 1-1/2" Bolts attach Rocker

Repeat on opposite Side



STEP 4

Using (2) 2" Screws attach Back to Seat



STEP 6

Using (2) 2-1/4" Bolts, Nuts, and Washers attach Arms to Legs and (2) 2" Screws attach Arms to Back

